

mdi ASESS are gamma irradiated single use disposable systems for aseptic fluid sampling at various stages in pharmaceutical and biopharmaceutical processing. These systems minimize chances of false positives and reduce cleaning requirements over traditional sampling systems.

Validated for

- Sterility as per USP <71>
- Class VI Plastics as per USP <88>
- Cytotoxicity as per USP <87>
- Bacterial Endotoxin <0.25EU/ml
- TOC as per USP <643>
- Conductivity as per USP <645>

Applications

Aseptic sampling of:

- Sterile bulk and sterile transfers
- Vaccine formulations at different maturation steps
- Fermentation cycles
- Cell culture from bioreactors

Specifications

Operating Temperature : -20°C to 60°C

Operating Pressure : 5 psi

Steam in Place (Sanitary : 125°C for 30 min
flange adaptor assembly)

Materials of Construction

Bag : Multilayered Film type FBG-1

Tubing : Thermoplastic Elastomer

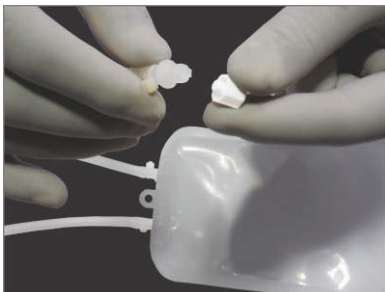
Septum : Silicone

Needle : 316L SS

Sterility: Gamma Irradiated

- 100% Integrity tested
- Non Animal Origin: Comply with the requirements laid down in the "Note for Guidance EMEA/410/01, rev. 03" for inputs of Non Animal Origin

Unique Performance Advantages



Female luer ports with male luer cap on outlet tubing on each sampling bag for easy drawing of samples



Single cut off Safety Valve: Cuts off the entire Sampling system in case of any eventuality



Specially designed multilayered bag film



Needle Options



1mm Needle for standard fluids



2mm Needle for viscous fluids

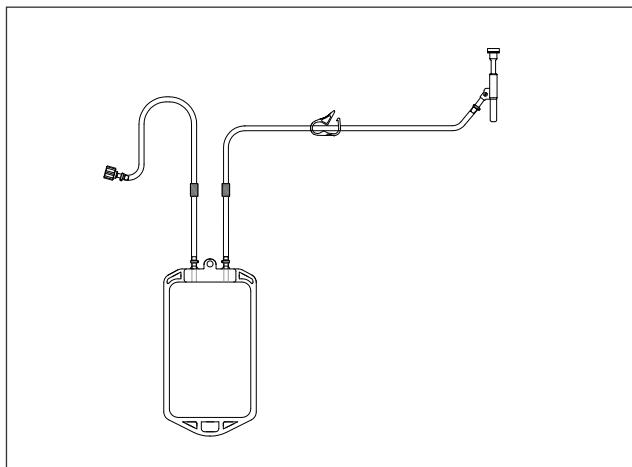
Ordering Information

ASESS Aseptic Sampling Systems can be customized to suit user requirements regarding tubing sizes, sizes, sampling ports and vessel port. A technical feasibility of the required design is established based on available components and an initial drawing is proposed. Products prototyping and final approval leads to customized system realization. However, following standard ASESS sampling systems are also available.

Gamma Sterile ASESS Aseptic Sampling Systems with 2mm Needle

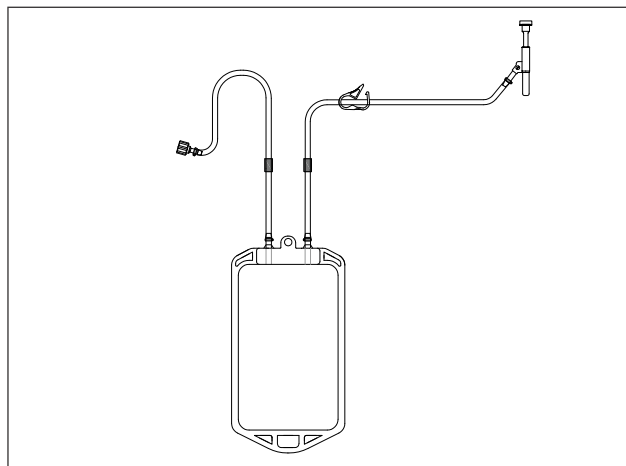
A028XXXXXXSS301

1x100 mL sampling bag



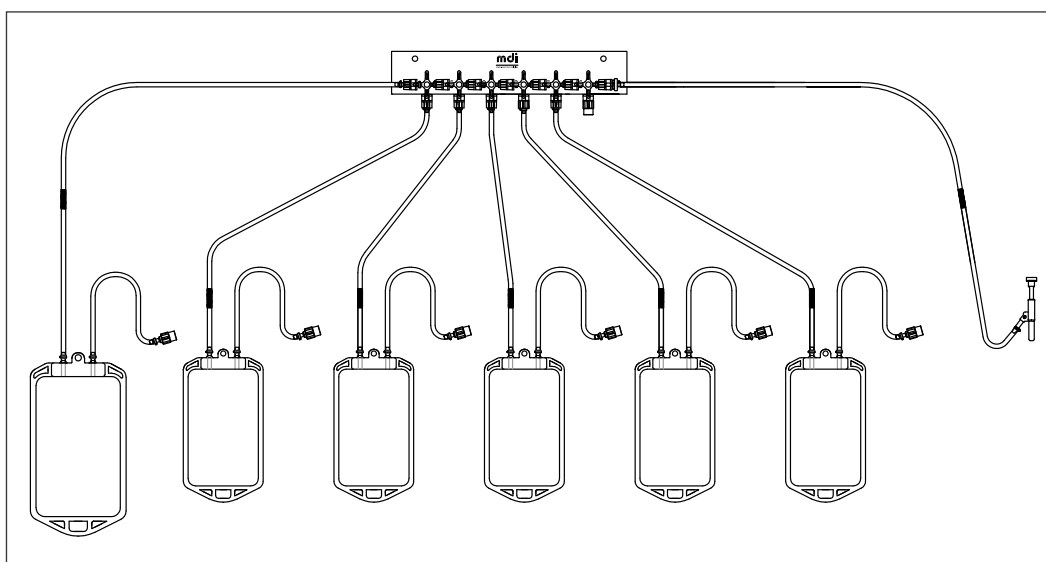
A029XXXXXXSS301

1x250 mL sampling bag



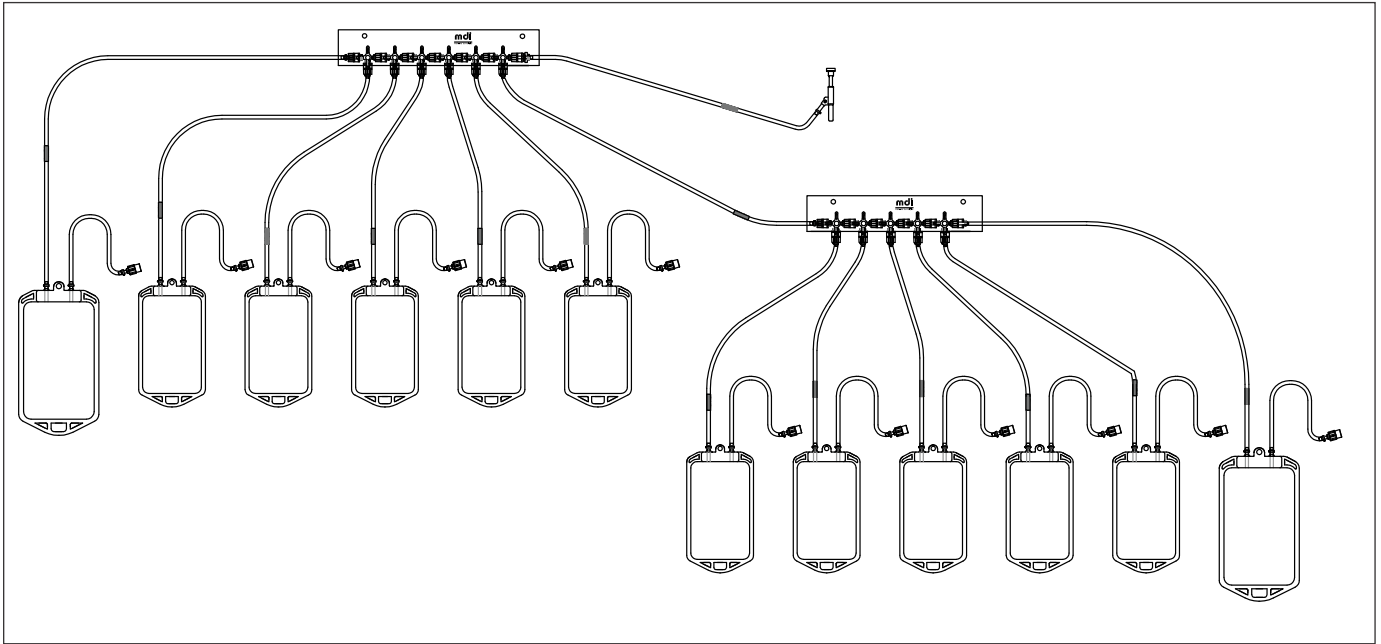
A044XXXXXXSS301

5x100 mL sampling bags and 1x250 mL drain bag



A023XXXXXS301

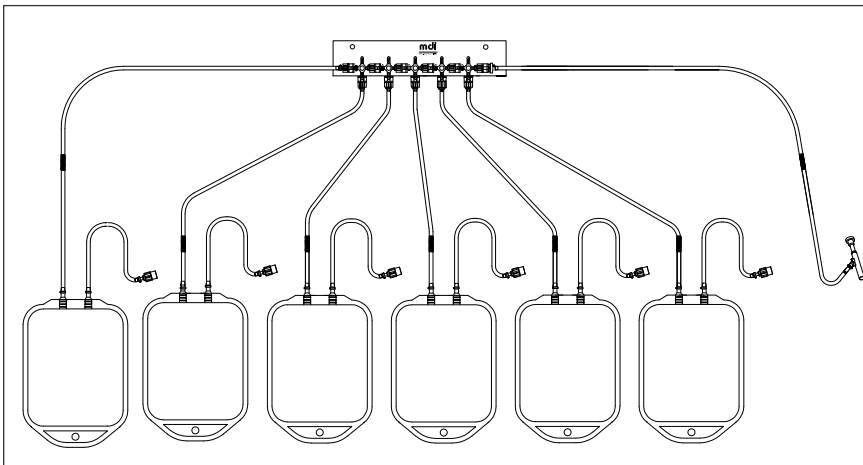
10x100 mL sampling bags and 2 x 250 mL drain bags



Gamma Sterile ASESS Aseptic Sampling Systems with 1mm Needle

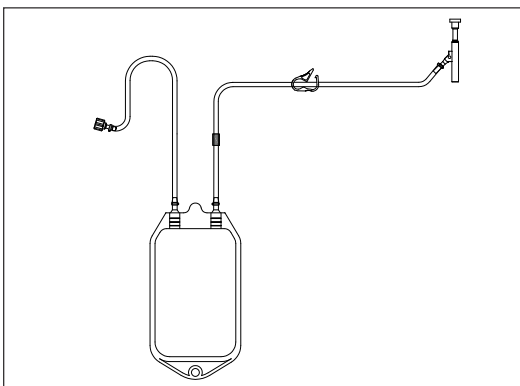
A1359XXXXXS301

5x250 mL sampling bags and 1x250 mL drain bag



A1360XXXXXS301

1x100mL sampling bag



Accessories



ASESS 25mm Sampling Port Connection for Single Sampling Port



In Gold Adapter - Sampling Port Connection for Two Sampling Ports



ASESS 50mm Sampling Port Connection for Five Sampling Ports



ASESS Crimping and Cutting Tool



ASESS Port Blind



ASESS *CrimpGard* Crimped Tube Cover

Ordering Information: Accessories

ASESS Sampling Port Connection

ASPC25XXXXXXXX01

25mm sampling port connection for both 1mm or 2mm needle, single sampling port

ASPCIG02XXXXXXXX01

Ingold Adapter - Sampling port connection for both 1mm or 2mm needle, two sampling ports

ASPCIG02XXLXX01

Ingold Adapter for Longer Ingold Ports- Sampling port connection for both 1mm or 2mm needle, two sampling ports

ASPC5005XXXXXXXX01

50mm sampling port connection for both 1mm or 2mm needle, five sampling ports

ASESS Crimping Tool

CTLXXXXXXXXXX01 for pack size of 1

ASESS *CrimGard* Crimped Tube Cover

CGCXXXXXXXXXX02 for pack size of 10

ASESS Port Blind

AASSBXXXXXXXX02 for pack size of 10

mdi Membrane Technologies INC.

75 Utley Drive STE 103, Camp Hill, PA 17011
Phone: +1-717-412-0943, Fax: +1-717-695-9637
E-mail: rs@mdimembranetech.com
Website: www.mdimembranetech.com

ADVANCED MICRODEVICES PVT. LTD.

20-21, Industrial Area, Ambala Cantt- 133 006, India
Tel: +91 - 171-2699290, 2699471
E-mail: info@mdimembrane.com
Website: www.mdimembrane.com