

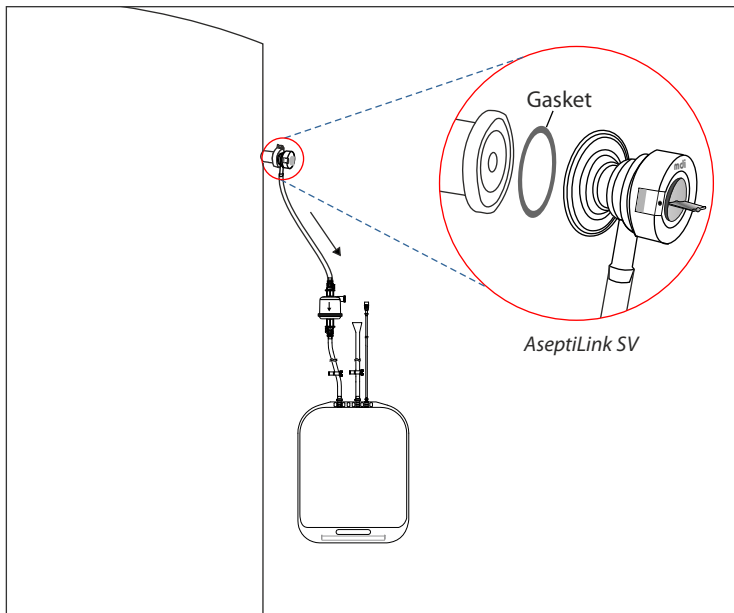
MDI *AseptiLink SV* Connector is designed to provide safer, secure and validated connection for transfer of sterile fluids. This connector enables integration of steamable hard piped processing systems to gamma sterilized disposable flow paths in single use assemblies.

MDI *AseptiLink SV*, as part of the gamma irradiated single use disposable assembly is connected to stainless steel vessels/piping through its 25mm/50mm sanitary flange inlet connection. This connection is steam sterilized, along with SS component of the process flow, effecting a sterile connection between the two.



50mm Sanitary Flange with
3/8" Hose Barb

25mm Sanitary Flange with
3/8" Hose Barb



Specifications

Material of construction

Main Body: Polysulfone

Gasket: Silicone

Operational Radius: 66 mm

Operating Temperature: 4 - 40 °C

Pressure Leak Test: Passes at 2.5 bar (40psi)

Steam sterilization: 135 °C for 30 minutes, 3 cycles

Gamma Sterilization: Upto 50 kGy

Number of actuations: 5 times

Typical water flow rates: 5lpm @ 2psi

Toxicity: Passes Bioreactivity test, *In Vivo*, as per USP <88> for Class VI plastics

Cytotoxicity: Passes Biological Reactivity Tests, *In Vitro*, USP <87> for cytotoxicity

Extractables: Passes NVR test as per USP <661>

Fiber Release: Passes test as per USP and comply with USFDA Title 21 CFR Part 210.3(b)(6) for fiber release

Particle Release: Complies with USP <788> test for particulate matter in injections

Unique Performance Advantages

- No extraneous contamination: Completely closed, steam sterilizable connection
- No steam through into the environment
- No requirement of condensate drain tubing