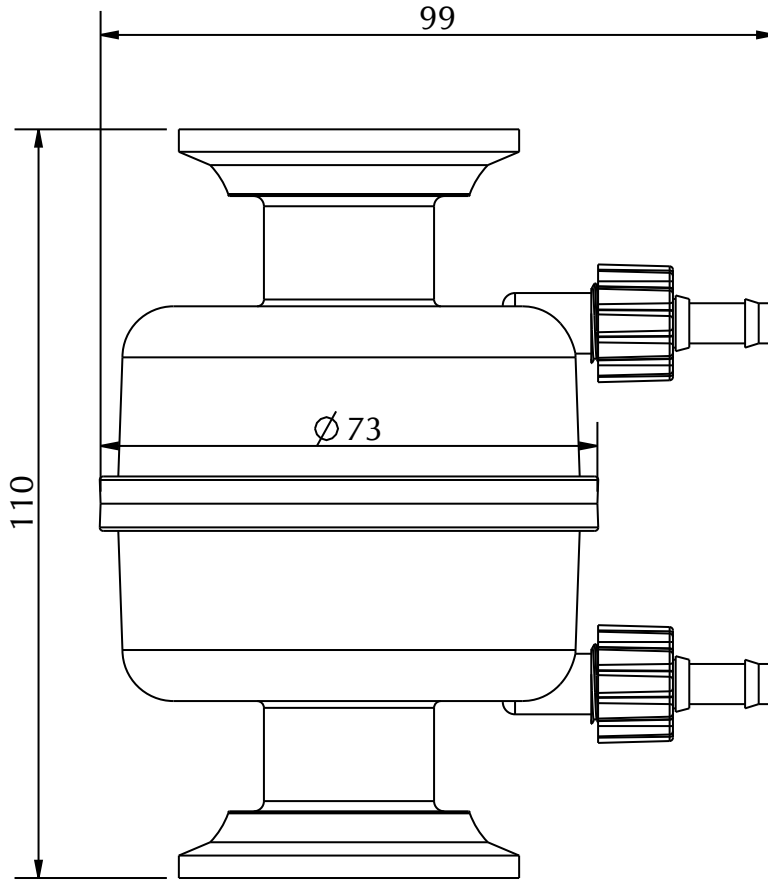


DO NOT SCALE THE DRAWING
ALL DIMENSIONS ARE IN mm.



| PART | QUANTITY | REF. No. | DESCRIPTION | MATERIAL | FINISHED SIZE | HARDNESS | REMARKS |
|------|----------|----------|-------------|----------|---------------|----------|---------|
| | | | | | | | |
| | | | | | | | |
| | | | | | | | |

| Rev.No. | ECN No. | DATE | DESCRIPTION | Rev.No. | ECN No. | DATE | DESCRIPTION |
|---------|---------|------|-------------|---------|---------|------|-------------|
| | | | | | | | |

| | | | | | | | | | | | | |
|---|----------|-----------------|-------|-------|----------|-------|----------------------------|-------|--------------------|--------------------|--------------------|--------------------|
| mdi ADVANCED MICRODEVICES(P)LTD. 20,21,Industrial Area,Ambala Cantt.133006. | | | SCALE | PROJ. | DATE | SIGN. | TOLERANCE UNLESS SPECIFIED | | | | | |
| 2" Filter Capsule With 1.5" TC I/O | REV. NO. | FORMAT NO. 5 | NONE | | Drawn | | | C | 1Dec.PI Â±0.100 | 2Dec.PI Â±0.050 | 3Dec.PI Â±0.025 | 4Dec.PI Â±0.010 |
| | | | | | Designed | | | T | Â±0.050 | Â±0.025 | Â±0.010 | Â±0.000 |
| | | | | | Checked | | | S | | | | |
| | | | | | Approved | | | Angle | Â±2Â° | Â±2Â° | Â±2Â° | Â±2Â° |

| | | | |
|----------|----------|-----------|--------------|
| TOOL No. | COMP.No. | STORE No. | SHEET 1 OF 1 |
|----------|----------|-----------|--------------|