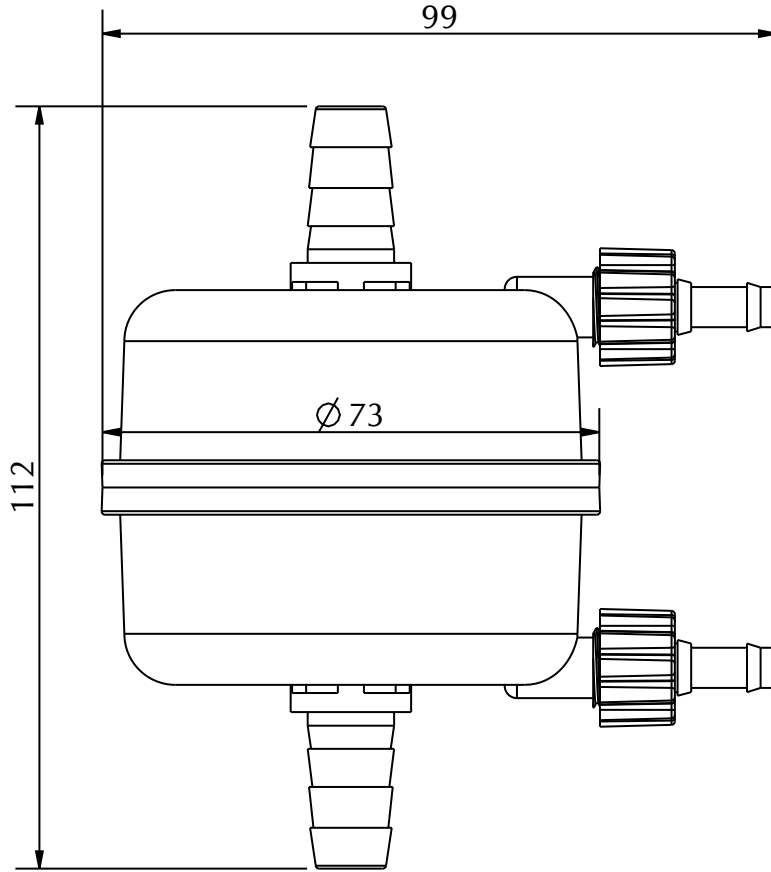


DO NOT SCALE THE DRAWING  
ALL DIMENSIONS ARE IN mm.



PART	QUANTITY	REF. No.	DESCRIPTION	MATERIAL	FINISHED SIZE	HARDNESS	REMARKS

Rev.No.	ECN No.	DATE	DESCRIPTION	Rev.No.	ECN No.	DATE	DESCRIPTION

TOOL No.      COMP.No.      STORE No.      SHEET 1 OF 1

<b>mdi</b> ADVANCED MICRODEVICES(P)LTD. 20,21,Industrial Area,Ambala Cantt.133006.  2" Filter Capsule With 1/2" H.B I/O	REV. NO.	FORMAT NO.	SCALE	PROJ.	DATE	SIGN.	TOLERANCE UNLESS SPECIFIED				
	5	5	NONE		Drawn		C	1Dec.PI	2Dec.PI	3Dec.PI	4Dec.PI
			<input checked="" type="checkbox"/> SPC		Designed		T	±0.100	±0.050	±0.025	±0.010
			<input type="checkbox"/> Control		Checked		S	±0.050	±0.025	±0.010	±0.000
					Approved		Angle	±2°	±2°	±2°	±2°