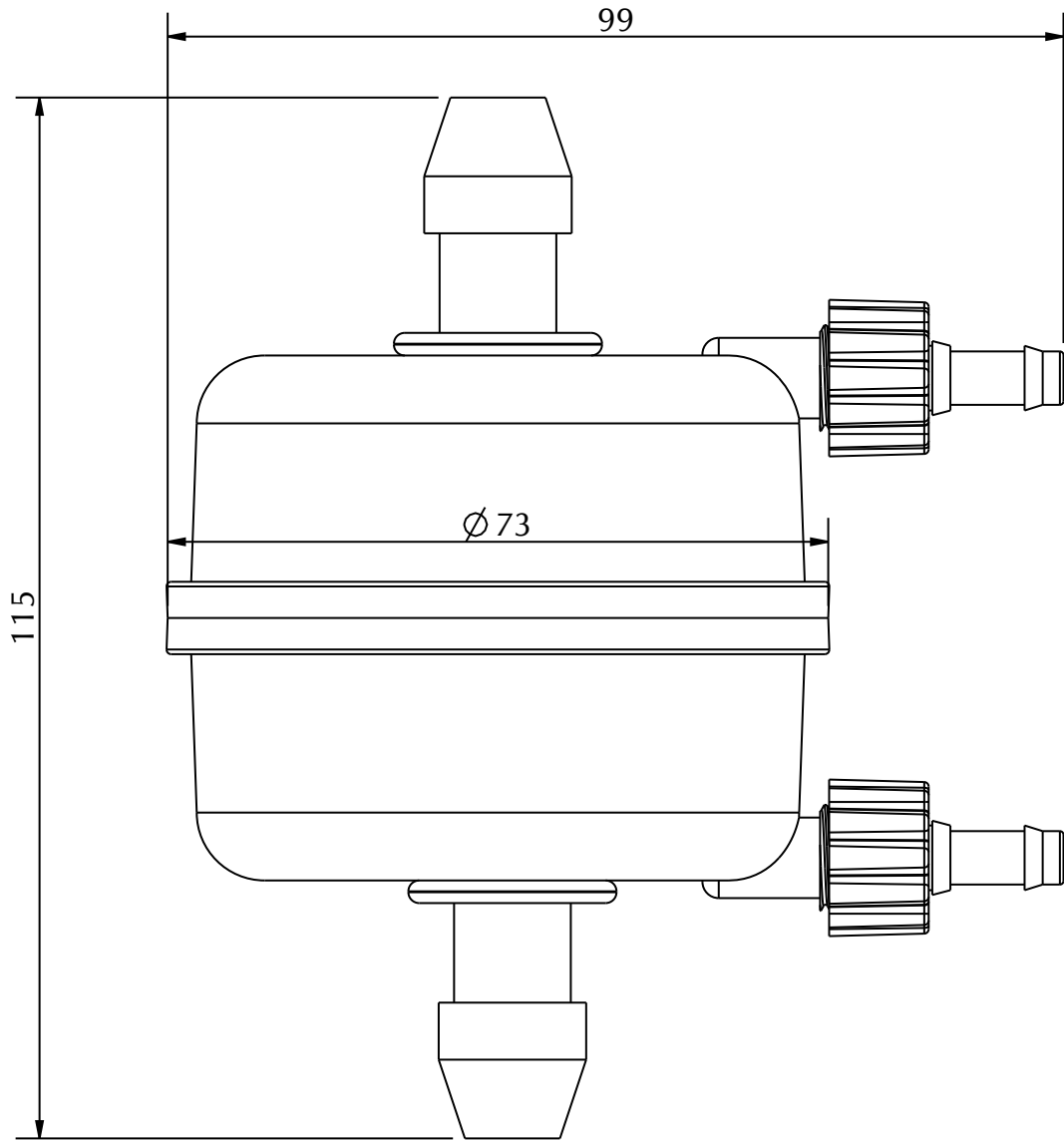


DO NOT SCALE THE DRAWING
ALL DIMENSIONS ARE IN mm.



PART	QUANTITY	REF. No.	DESCRIPTION	MATERIAL	FINISHED SIZE	HARDNESS	REMARKS

Rev.No.	ECN No.	DATE	DESCRIPTION	Rev.No.	ECN No.	DATE	DESCRIPTION

mdi ADVANCED MICRODEVICES(P)LTD. 20,21,Industrial Area,Ambala Cantt.133006.				SCALE	PROJ.	DATE	SIGN.	TOLERANCE UNLESS SPECIFIED				
2" Filter Capsule With 1/2" Single Step Hose Barb I/O	REV. NO.	FORMAT NO. 5	NONE	<input type="checkbox"/> SPC <input checked="" type="checkbox"/> Control		Drawn		C	Â±0.100	Â±0.050	Â±0.025	Â±0.010
						Designed		T	Â±0.050	Â±0.025	Â±0.010	Â±0.000
						Checked		S				
						Approved		Angle	Â±2Â°	Â±2Â°	Â±2Â°	Â±2Â°

TOOL No.	COMP.No.	STORE No.	SHEET 1 OF 1
----------	----------	-----------	--------------