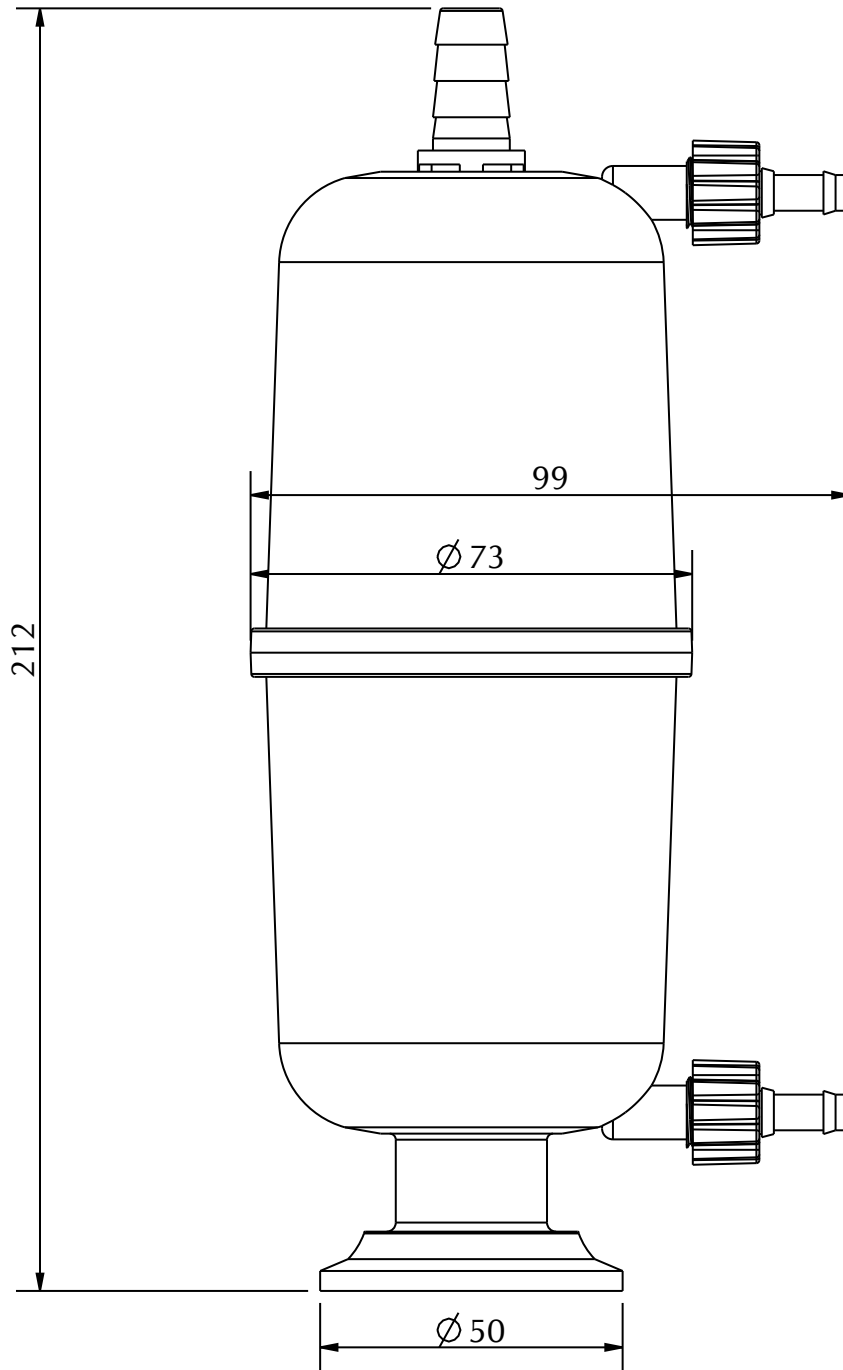


DO NOT SCALE THE DRAWING
ALL DIMENSIONS ARE IN mm.



PART	QUANTITY	REF. No.	DESCRIPTION	MATERIAL	FINISHED SIZE	HARDNESS	REMARKS

Rev.No.	ECN No.	DATE	DESCRIPTION	Rev.No.	ECN No.	DATE	DESCRIPTION

TOOL No.	COMP.No.	STORE No.	SHEET 1 OF 1
----------	----------	-----------	--------------

mdi ADVANCED MICRODEVICES(P)LTD. 20,21,Industrial Area,Ambala Cantt.133006.		SCALE	PROJ.	DATE	SIGN.	TOLERANCE UNLESS SPECIFIED				
8" FILTER CAPSULE WITH 1.5" TC I/L, 1/2" H.B O/L	REV. NO. 5 FORMAT NO.	NONE		Drawn		C	±0.100	±0.050	±0.025	±0.010
		Designed			T	±0.050	±0.025	±0.010	±0.000	
		Checked			S					
		Approved			Angle	±2°	±2°	±2°	±2°	