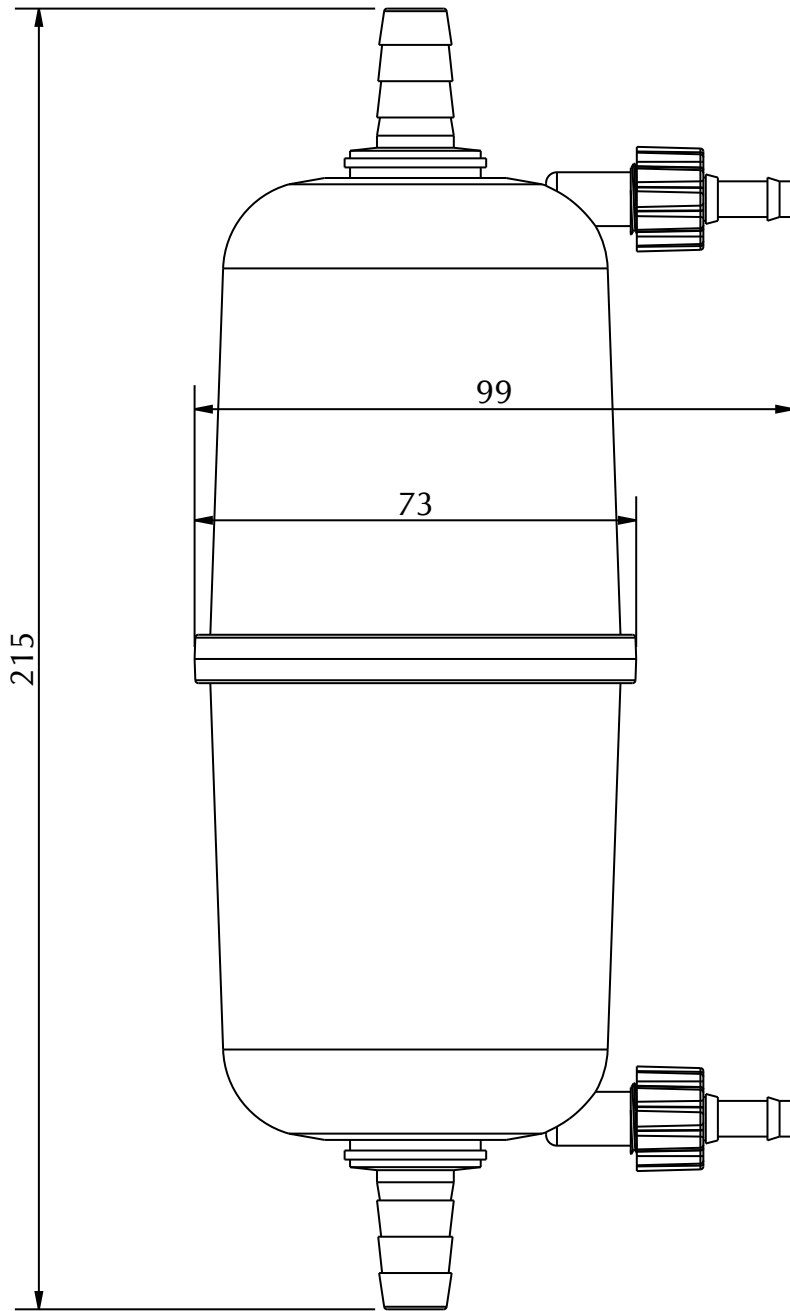


DO NOT SCALE THE DRAWING
ALL DIMENSIONS ARE IN mm.



PART	QUANTITY	REF. No.	DESCRIPTION	MATERIAL	FINISHED SIZE	HARDNESS	REMARKS

Rev.No.	ECN No.	DATE	DESCRIPTION	Rev.No.	ECN No.	DATE	DESCRIPTION

TOOL No. COMP.No. STORE No. SHEET 1 OF 1

mdi ADVANCED MICRODEVICES(P)LTD. 20,21,Industrial Area,Ambala Cantt.133006.		SCALE	PROJ.	DATE	SIGN.	TOLERANCE UNLESS SPECIFIED				
8" CAPSULE FILTER WITH 1/2" HB I/O	REV. NO.	NONE		Drawn		C	±0.100	±0.050	±0.025	±0.010
	FORMAT NO.	SPC		Designed		T	±0.050	±0.025	±0.010	±0.000
	5	Control		Checked		S				
				Approved		Angle	±2°	±2°	±2°	±2°