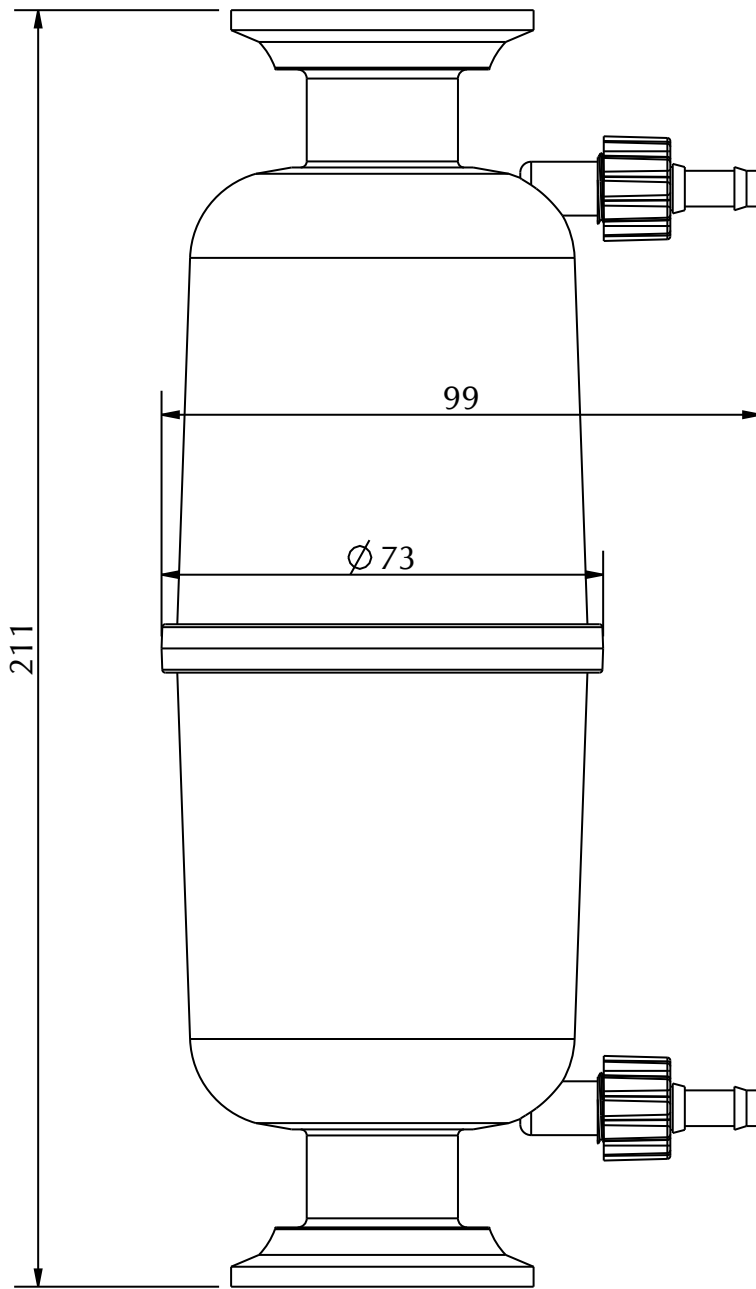


DO NOT SCALE THE DRAWING  
ALL DIMENSIONS ARE IN mm.



PART	QUANTITY	REF. No.	DESCRIPTION	MATERIAL	FINISHED SIZE	HARDNESS	REMARKS

Rev.No.	ECN No.	DATE	DESCRIPTION	Rev.No.	ECN No.	DATE	DESCRIPTION

<b>mdi</b> ADVANCED MICRODEVICES(P)LTD. 20,21,Industrial Area,Ambala Cantt.133006.				SCALE	PROJ.	DATE	SIGN.	TOLERANCE UNLESS SPECIFIED				
8" Filter Capsule With 1.5" TC I/O	REV. NO.	FORMAT NO. 5	NONE		Drawn			C	1Dec.PI Â±0.100	2Dec.PI Â±0.050	3Dec.PI Â±0.025	4Dec.PI Â±0.010
			SPC		Designed			T	Â±0.050	Â±0.025	Â±0.010	Â±0.000
			Control		Checked			S				
					Approved			Angle	Â±2Â°	Â±2Â°	Â±2Â°	Â±2Â°

TOOL No.	COMP.No.	STORE No.	SHEET 1 OF 1
----------	----------	-----------	--------------