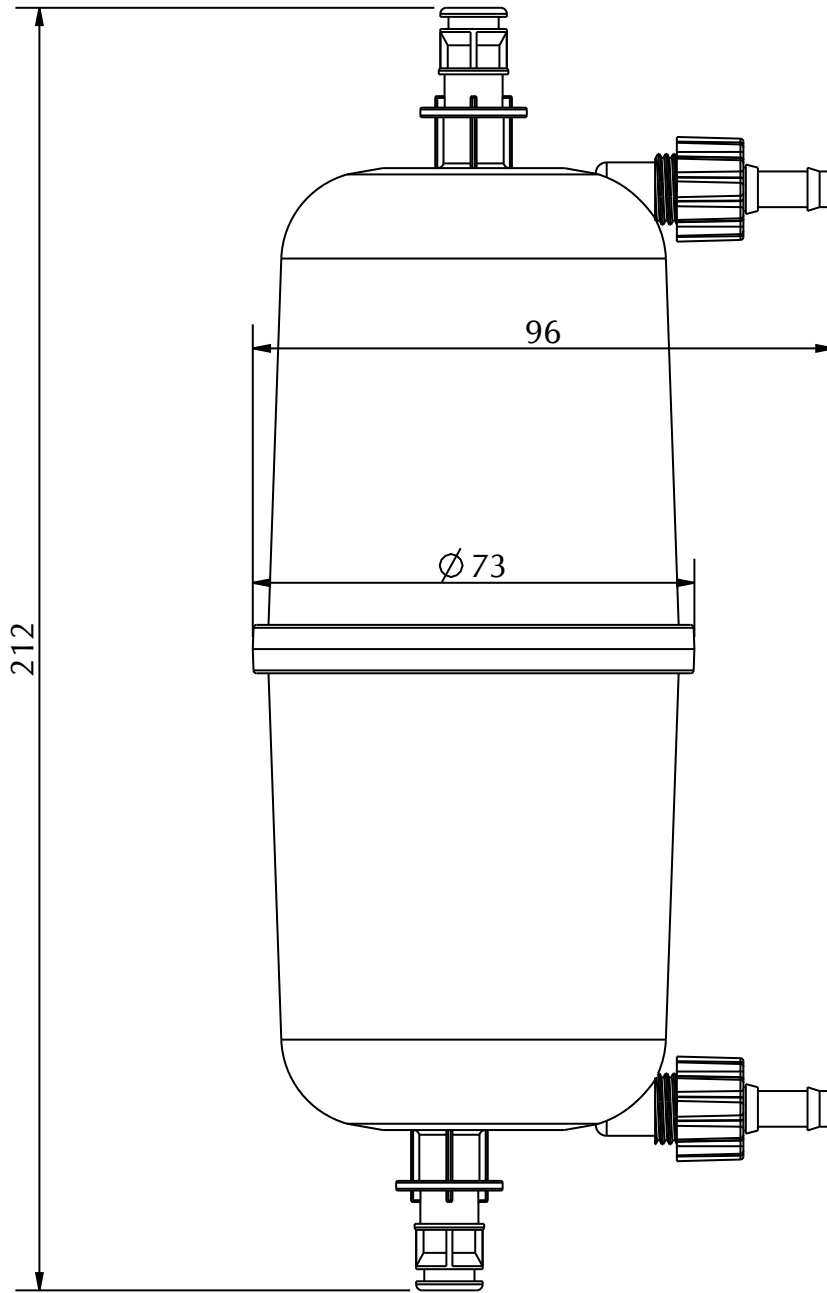


DO NOT SCALE THE DRAWING
ALL DIMENSIONS ARE IN mm.



PART	QUANTITY	REF. No.	DESCRIPTION	MATERIAL	FINISHED SIZE	HARDNESS	REMARKS

Rev.No.	ECN No.	DATE	DESCRIPTION	Rev.No.	ECN No.	DATE	DESCRIPTION

mdi ADVANCED MICRODEVICES(P)LTD. 20,21,Industrial Area,Ambala Cantt.133006.				SCALE	PROJ.	DATE	SIGN.	TOLERANCE UNLESS SPECIFIED				
8" Filter Capsule With Quick Connector I/O	REV. NO.	FORMAT NO. 5	NONE		Drawn			C	±0.100	±0.050	±0.025	±0.010
					Designed			T	±0.050	±0.025	±0.010	±0.000
					Checked			S				
					Approved			Angle	±2°	±2°	±2°	±2°

TOOL No.	COMP.No.	STORE No.	SHEET 1 OF 1
----------	----------	-----------	--------------