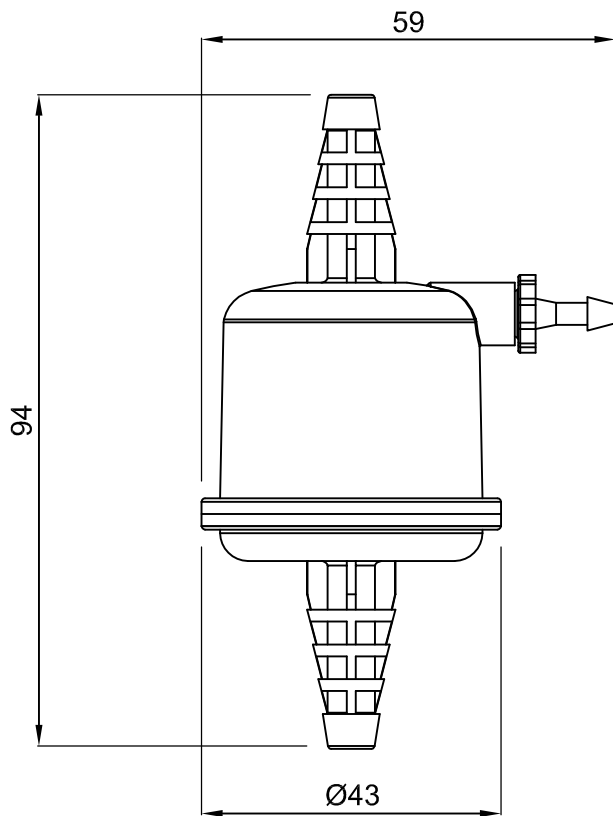


DO NOT SCALE THE DRAWING  
ALL DIMENSIONS ARE IN mm



PART	QUANTITY	REF. NO.	DESCRIPTION	MATERIAL	FINISHED SIZE	HARDNESS	REMARK

REV. NO.	ECN. NO.	DATE	DESCRIPTION	REV. NO.	ECN. NO.	DATE	DESCRIPTION

<b>mdi</b> Advanced Microdevices Pvt. Ltd. 20, 21, Industrial Area , Ambala Cantt., 133006  <b>1" Capsule Filter With 1/4"</b> <b>Stepped Hose Barb I/O</b>	REV. NO. FORMAT NO. 5	SCALE	PROJ.	DATE	SIGN.	TOLERANCE UNLESS SPECIFIED					
							1Dec.PI	2Dec.PI	3Dec.PI	4Dec.PI	
							C	A±0.100	A±0.050	A±0.025	A±0.010
							T	A±0.050	A±0.025	A±0.010	A±0.000
							S	A±2Å°	A±2Å°	A±2Å°	A±2Å°
TOOL No.	COMP. No.	STORE No.	SHEET 1 OF 1								