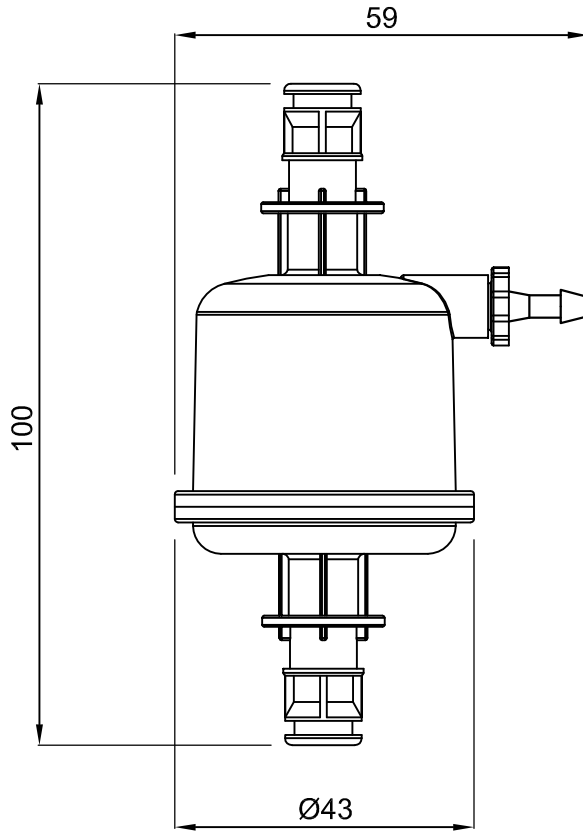


DO NOT SCALE THE DRAWING
ALL DIMENSIONS ARE IN mm



PART	QUANTITY	REF. NO.	DESCRIPTION	MATERIAL	FINISHED SIZE	HARDNESS	REMARK
------	----------	----------	-------------	----------	---------------	----------	--------

REV. NO.	ECN. NO.	DATE	DESCRIPTION	REV. NO.	ECN. NO.	DATE	DESCRIPTION				
mdi Advanced Microdevices Pvt. Ltd. 20, 21, Industrial Area , Ambala Cantt., 133006			REV. NO. FORMAT NO. 5		PROJ. 	DATE	SIGN.	TOLERANCE UNLESS SPECIFIED			
1" Capsule Filter With Quick Connector I/O		1Dec.PI						2Dec.PI	3Dec.PI	4Dec.PI	
C	A±0.100	A±0.050						A±0.025	A±0.010		
T	A±0.050	A±0.025						A±0.010	A±0.000		
S	ANGLE A±2Å°										