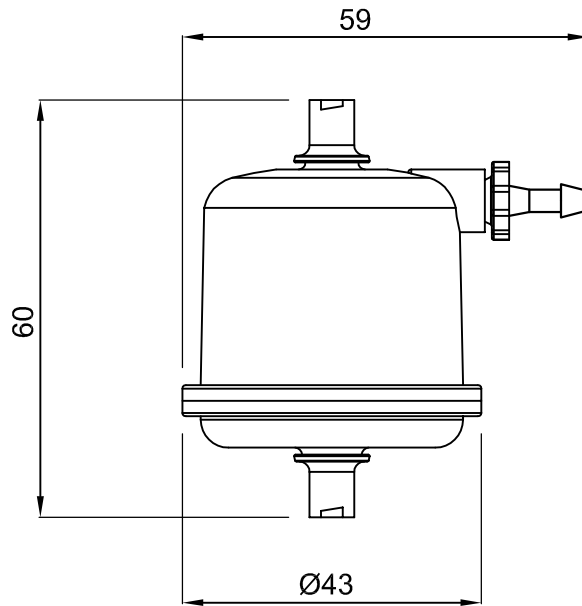


DO NOT SCALE THE DRAWING
ALL DIMENSIONS ARE IN mm



PART	QUANTITY	REF. NO.	DESCRIPTION	MATERIAL	FINISHED SIZE	HARDNESS	REMARK					
REV. NO.	ECN. NO.	DATE	DESCRIPTION	REV. NO.	ECN. NO.	DATE	DESCRIPTION					
mdi Advanced Microdevices Pvt. Ltd. 20, 21, Industrial Area , Ambala Cantt., 133006			REV. NO. FORMAT NO. 5	SCALE	PROJ.	DATE	SIGN.	TOLERANCE UNLESS SPECIFIED				
1" Capsule Filter With Female Luer Lock I/O					DRAWN				1Dec.PI	2Dec.PI	3Dec.PI	4Dec.PI
					DESIGNED			C	A±0.100	A±0.050	A±0.025	A±0.010
					CHECKED			T	A±0.050	A±0.025	A±0.010	A±0.000
					APPROVED			S				
				ANGLE	A±2Å°	A±2Å°	A±2Å°	A±2Å°				
TOOL No.			COMP. No.			STORE No.			SHEET 1 OF 1			