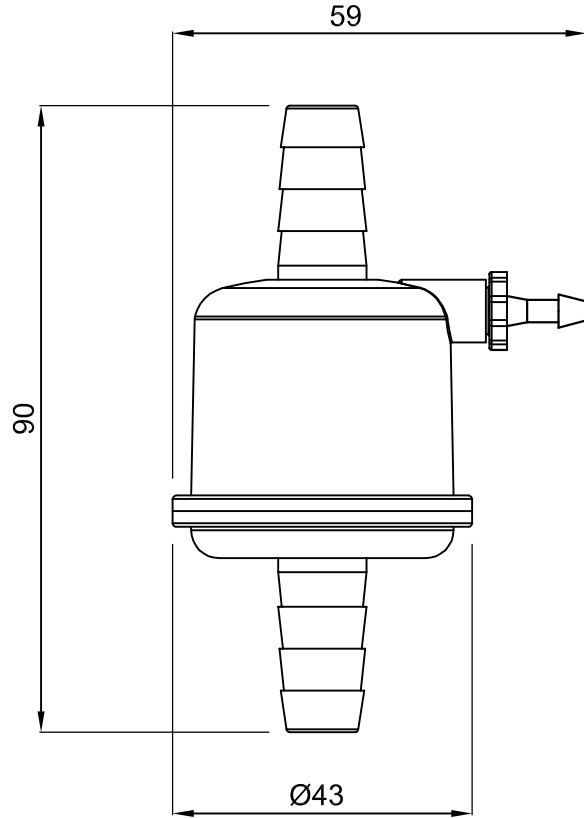


DO NOT SCALE THE DRAWING  
ALL DIMENSIONS ARE IN mm



PART	QUANTITY	REF. NO.	DESCRIPTION	MATERIAL	FINISHED SIZE	HARDNESS	REMARK
------	----------	----------	-------------	----------	---------------	----------	--------


REV. NO.	ECN. NO.	DATE	DESCRIPTION	REV. NO.	ECN. NO.	DATE	DESCRIPTION					
<b>mdi</b> Advanced Microdevices Pvt. Ltd. 20, 21, Industrial Area , Ambala Cantt., 133006				TOLERANCE UNLESS SPECIFIED								
<b>1" Capsule Filter With 1/2" Hose Barb I/O</b>				SCALE PROJ. DATE SIGN.				1Dec.PI	2Dec.PI	3Dec.PI	4Dec.PI	
								C	A±0.100	A±0.050	A±0.025	A±0.010
								T	A±0.050	A±0.025	A±0.010	A±0.000
								S				
								ANGLE	A±2Å°	A±2Å°	A±2Å°	A±2Å°
TOOL No.		COMP. No.		STORE No.		SHEET 1 OF 1						