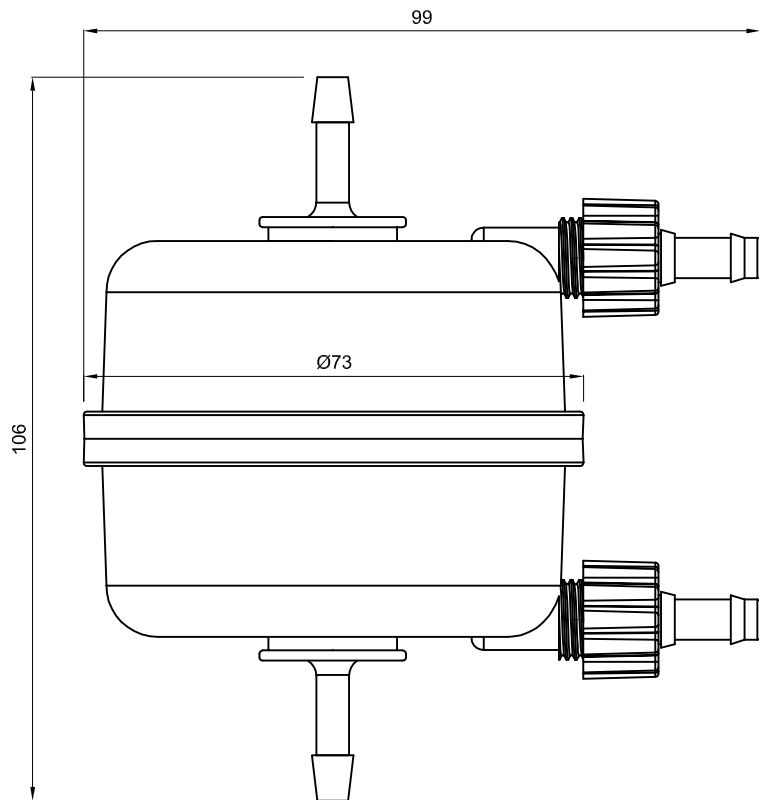


DO NOT SCALE THE DRAWING

ALL DIMENSIONS ARE IN mm



PART	QUANTITY	REF. NO.	DESCRIPTION	MATERIAL	FINISHED SIZE	HARDNESS	REMARK

REV. NO.	ECN. NO.	DATE	DESCRIPTION	REV. NO.	ECN. NO.	DATE	DESCRIPTION
mdi Advanced Microdevices Pvt. Ltd, 20, 21, Industrial Area , Ambala Cantt., 133006							

2" Capsule Filter with 3/16" Single Step Hose Barb I/O	REV. NO.	FORMAT NO. 5	SCALE	PROJ.	DATE	SIGN.	TOLERANCE UNLESS SPECIFIED				
			NONE				C	A±0.100	A±0.050	A±0.025	A±0.010
							T	A±0.050	A±0.025	A±0.010	A±0.000
							S				
							ANGLE	A±2Â°	A±2Â°	A±2Â°	A±2Â°