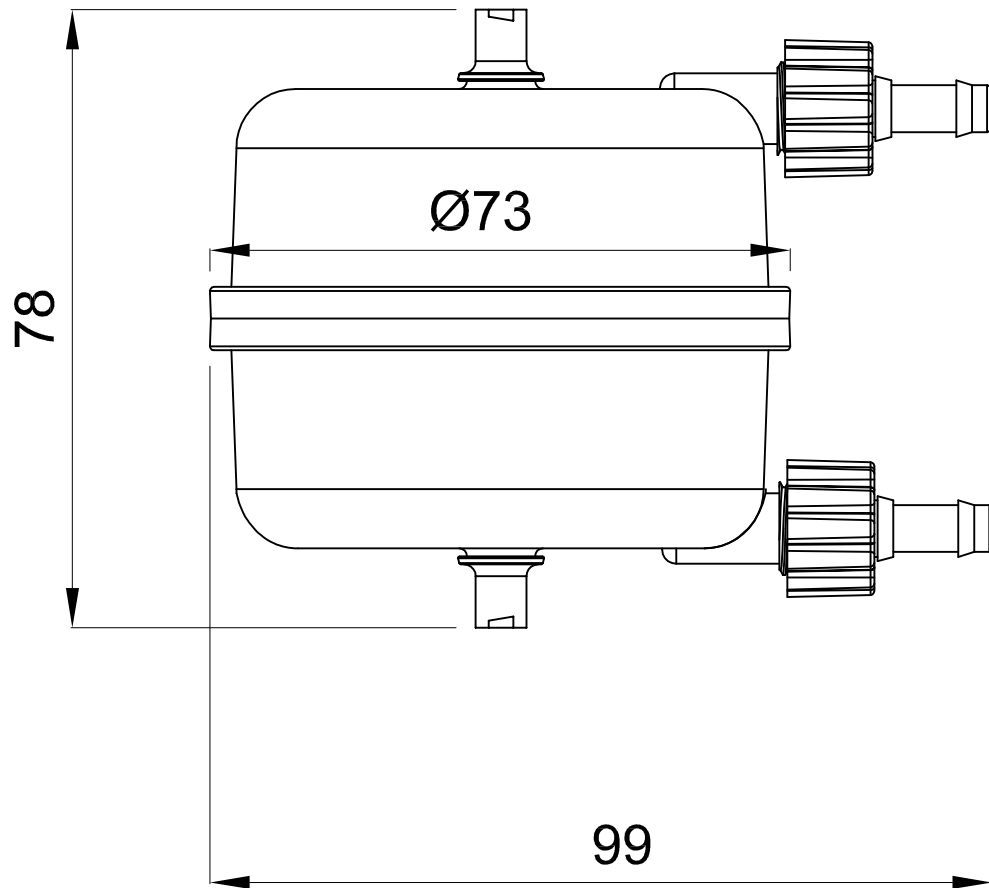


DO NOT SCALE THE DRAWING  
ALL DIMENSIONS ARE IN mm



PART	QUANTITY	REF. NO.	DESCRIPTION	MATERIAL	FINISHED SIZE	HARDNESS	REMARK					
REV. NO.	ECN. NO.	DATE	DESCRIPTION	REV. NO.	ECN. NO.	DATE	DESCRIPTION					
<b>mdi</b> Advanced Microdevices Pvt. Ltd, 20, 21, Industrial Area , Ambala Cantt., 133006				TOLERANCE UNLESS SPECIFIED								
<b>2" Capsule Filter With Female Luer Lock I/O</b>	REV. NO.	FORMAT NO. 5	SCALE	PROJ.	DATE	SIGN.	1Dec.PI	2Dec.PI	3Dec.PI	4Dec.PI		
			NONE		DRAWN			C	A±0.100	A±0.050	A±0.025	A±0.010
					DESIGNED			T	A±0.050	A±0.025	A±0.010	A±0.000
					CHECKED			S				
					APPROVED			ANGLE	A±2Â°	A±2Â°	A±2Â°	A±2Â°
TOOL No.			COMP. No.			STORE No.			SHEET 1 OF 1			