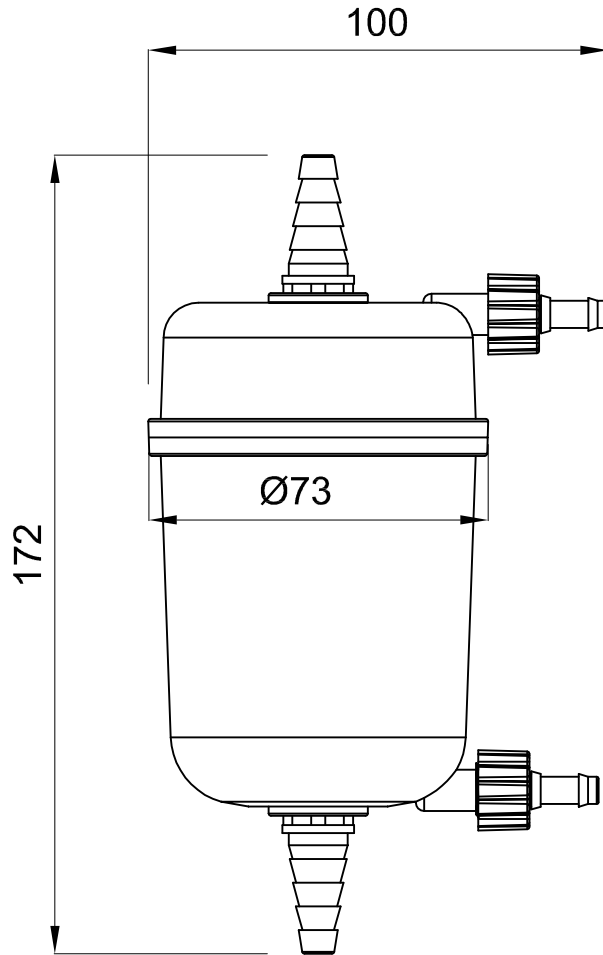


DO NOT SCALE THE DRAWING
 ALL DIMENSIONS ARE IN mm



PART	QUANTITY	REF. NO.	DESCRIPTION	MATERIAL	FINISHED SIZE	HARDNESS	REMARK

REV. NO.	ECN. NO.	DATE	DESCRIPTION	REV. NO.	ECN. NO.	DATE	DESCRIPTION

TOOL No.	COMP. No.	STORE No.	SHEET 1 OF 1
----------	-----------	-----------	--------------

mdi Advanced Microdevices Pvt. Ltd. 20,
 21, Industrial Area , Ambala Cantt., 133006

5" Capsule Filter With 1/4" Stepped Hose Barb I/O

SCALE: NONE

PROJ.

DATE: SIGN.:

DRAWN: DESIGNED: CHECKED: APPROVED:

FORMAT NO. 5

	TOLERANCE UNLESS SPECIFIED			
	1Dec.PI	2Dec.PI	3Dec.PI	4Dec.PI
C	A±0.100	A±0.050	A±0.025	A±0.010
T	A±0.050	A±0.025	A±0.010	A±0.000
S				
ANGLE	A±2Å°	A±2Å°	A±2Å°	A±2Å°