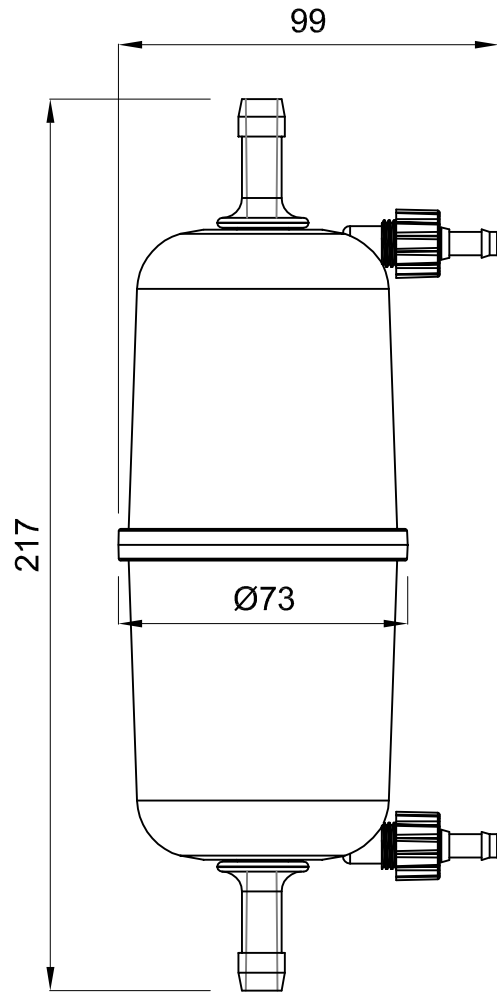


DO NOT SCALE THE DRAWING
ALL DIMENSIONS ARE IN mm



PART	QUANTITY	REF. NO.	DESCRIPTION	MATERIAL	FINISHED SIZE	HARDNESS	REMARK

REV. NO.	ECN. NO.	DATE	DESCRIPTION	REV. NO.	ECN. NO.	DATE	DESCRIPTION

mdi Advanced Microdevices Pvt. Ltd. 20,
21, Industrial Area , Ambala Cantt., 133006

8" Capsule Filter With 3/8"
Single Step Hose Barb I/O

REV. NO. FORMAT NO. 5

SCALE NONE PROJ.

SPC DRAWN DATE SIGN.

CONTROL DESIGNED CHECKED APPROVED

TOLERANCE UNLESS SPECIFIED

	1Dec.PI	2Dec.PI	3Dec.PI	4Dec.PI
C	A±0.100	A±0.050	A±0.025	A±0.010
T	A±0.050	A±0.025	A±0.010	A±0.000
S	A±2Å°	A±2Å°	A±2Å°	A±2Å°