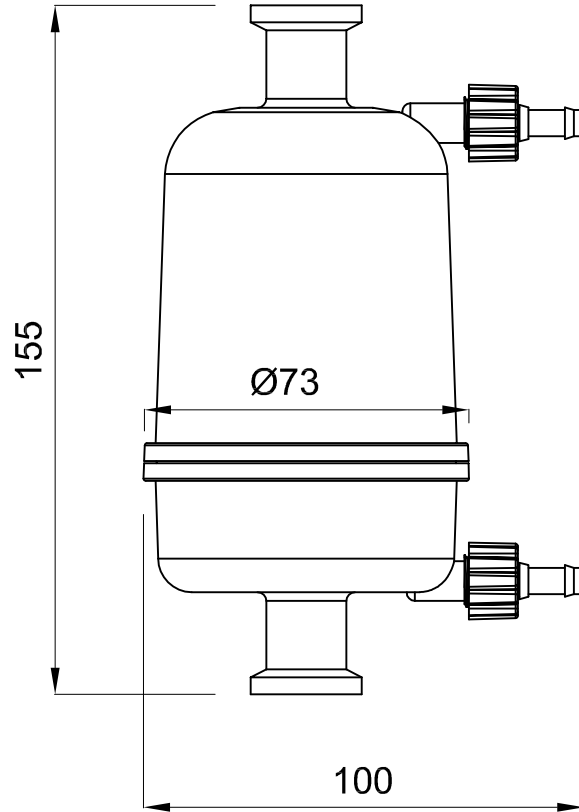


DO NOT SCALE THE DRAWING
ALL DIMENSIONS ARE IN mm



PART	QUANTITY	REF. NO.	DESCRIPTION	MATERIAL	FINISHED SIZE	HARDNESS	REMARK

REV. NO.	ECN. NO.	DATE	DESCRIPTION	REV. NO.	ECN. NO.	DATE	DESCRIPTION

mdi Advanced Microdevices Pvt. Ltd, 20,
21, Industrial Area , Ambala Cantt., 133006

REV. NO.
 FORMAT NO.
 5

SCALE	PROJ.
NONE	

DRAWN	DATE	SIGN.
DESIGNED		
CHECKED		
APPROVED		

	TOLERANCE UNLESS SPECIFIED			
	1Dec.PI	2Dec.PI	3Dec.PI	4Dec.PI
C	A±0.100	A±0.050	A±0.025	A±0.010
T	A±0.050	A±0.025	A±0.010	A±0.000
S				
ANGLE	A±2Å°	A±2Å°	A±2Å°	A±2Å°