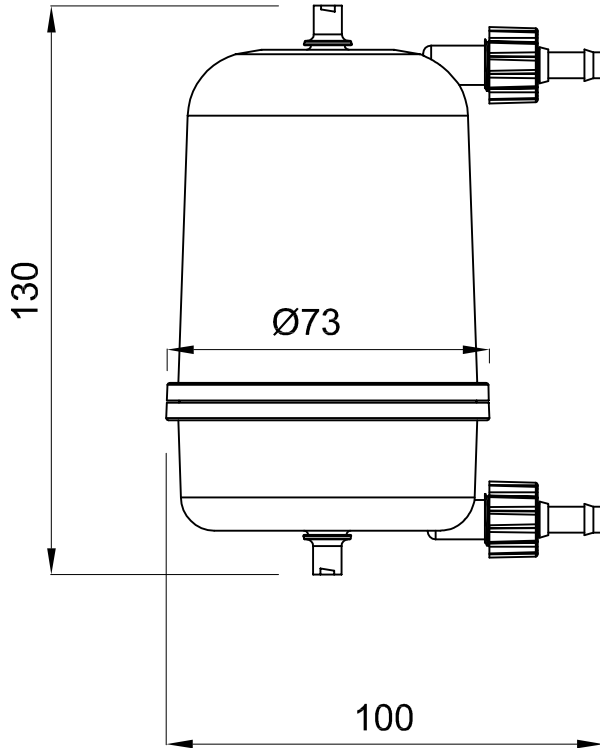


DO NOT SCALE THE DRAWING  
ALL DIMENSIONS ARE IN mm



PART	QUANTITY	REF. NO.	DESCRIPTION	MATERIAL	FINISHED SIZE	HARDNESS	REMARK				
REV. NO.	ECN. NO.	DATE	DESCRIPTION	REV. NO.	ECN. NO.	DATE	DESCRIPTION				
<b>mdi</b> Advanced Microdevices Pvt. Ltd. 20, 21, Industrial Area , Ambala Cantt., 133006			SCALE NONE SPC CONTROL	PROJ. 	DATE SIGN.	TOLERANCE UNLESS SPECIFIED					
<b>5" Capsule Filter With Female Luer Lock I/O</b>			5	DRAWN			1Dec.PI	2Dec.PI	3Dec.PI	4Dec.PI	
				DESIGNED			C	A±0.100	A±0.050	A±0.025	A±0.010
				CHECKED			T	A±0.050	A±0.025	A±0.010	A±0.000
				APPROVED			S				
				ANGLE				A±2Å°	A±2Å°	A±2Å°	A±2Å°
TOOL No.	COMP. No.			STORE No.			SHEET 1 OF 1				