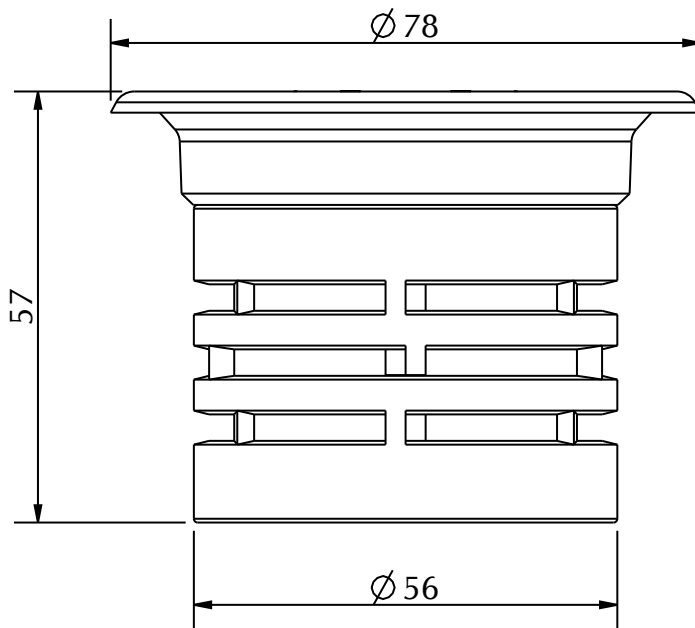
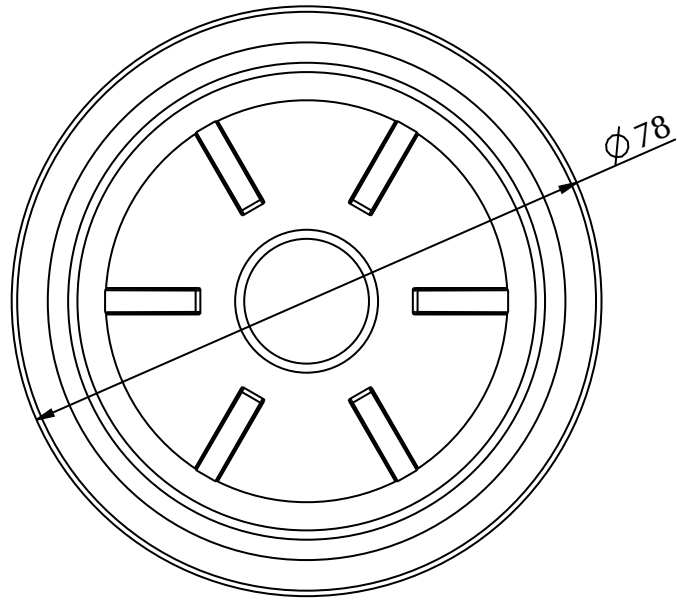


DO NOT SCALE THE DRAWING  
ALL DIMENSIONS ARE IN mm.



PART	QUANTITY	REF. No.	DESCRIPTION	MATERIAL	FINISHED SIZE	HARDNESS	REMARKS

Rev.No.	ECN No.	DATE	DESCRIPTION	Rev.No.	ECN No.	DATE	DESCRIPTION

<b>mdi</b> ADVANCED MICRODEVICES(P)LTD. 20,21,Industrial Area,Ambala Cantt.133006.			SCALE NONE ● SPC ◇ Control	PROJ. 	DATE	SIGN.	TOLERANCE UNLESS SPECIFIED			
2.5" FILTER CARTRIDGE WITH S- KLEEN ADAPTER	REV. NO.	FORMAT NO. 5			Drawn	1Dec.PI	2Dec.PI	3Dec.PI	4Dec.PI	
					Designed	C	±0.100	±0.050	±0.025	±0.010
					Checked	T	±0.050	±0.025	±0.010	±0.000
					Approved	S	±2°	±2°	±2°	±2°
TOOL No.	COMP.No.	STORE No.	Angle							